

CLEAR FORM

LED CLEAR FORM POSTERS



CLEAR FORM POSTERS

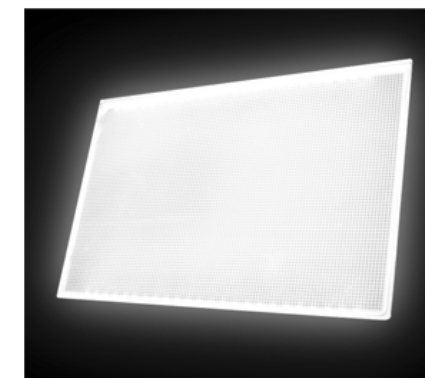
The perfect Clear Form poster

The poster frame is composed of a special light diffusing optic acrylic backing, and a clear protective acrylic lining. The poster is sandwiches in between these two pieces for optimal visual effect.

Epic Sky Technology's LED Light Panels are thin, custom sizeable, optical acrylic sheets with high output tier one LEDs embedded along the edge of the LED Light Panels. This light distribution grid pattern is optimized for each specific panel size to ensure uniform and bright illumination over the the face of the panel. With their minimal power consumption, long lifespan, uniform, bright illumination and thin, lightweight characteristics, our high output Epic Sky Technology's LED Light Panels are ideal to illuminate any translucent material compared to traditional fluorescent back lit systems.

PRODUCT FEATURES

- Ultra thin - 1/2" thick profile
- 50,000 hour LED life (White or RGB LEDs)
- Easy load front load feature: change graphics in a snap
- High quality and lightweight aluminum Construction (EP-XTRU-PFO I)



CONTACT US FOR PRICING

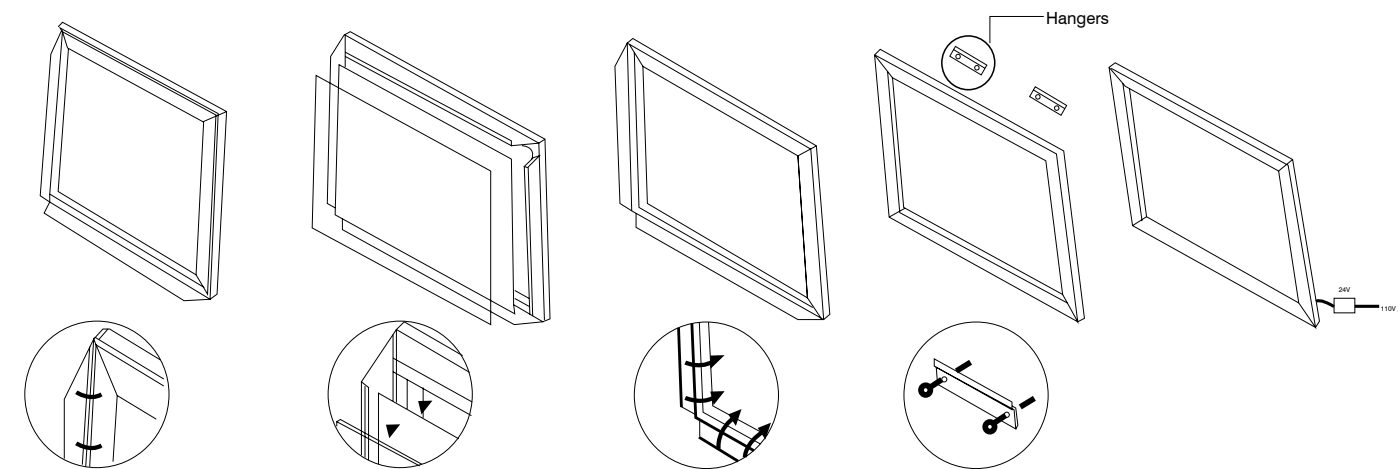


Available sizes:

11" x 17" Backlit Movie Poster

18" x 24" Backlit Movie Poster

24" x 36" Backlit Movie Poster



Open all profile upward, take off the acrylic cover.

Install the graphic into the lightbox, and then place the acrylic cover back on the lightbox.

Close the profile downwards.

Fixing the hangers on the wall with expansion bolt, and put the light box on the hangers.

Connect the power.



All products subject to change without notice.