

# KALEIDOSCOPE LED DIGITAL STAR LIGHTING

twilight  
FIBER OPTIC SKY SYSTEM



***YOU COMMAND THE NIGHT!***

Epic Sky's Kaleidoscope Star Kit is the newest technology in digital star lighting. Featuring **multiple color programs** with our **exclusive shimmering iridescent white**. You now have the power to control and create your ideal vision of a night sky.

*This kit is designed to be a star kit or a custom effect kit.*



## INSTALLATION IS SIMPLE AND EASY!

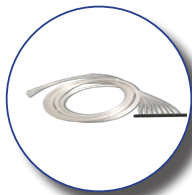
- 1 Drill your desired star pattern into your chosen surface
- 2 Insert the fibers into the holes and glue into place.
- 3 Screw the pre-made fiber head into the Kaleidoscope module then turn it ON!

You can trim the fibers flush after your final coat of paint. Intervals of your desired effect can be adjusted through DIP switches on the back of the Kaleidoscope module.

### KIT INCLUDES:



STAR KIT MODULE



8 FT. FIBER OPTIC TAIL



12 VOLT POWER SUPPLY



DRILL BITS (12 PK)  
(DREMEL® RECOMMENDED)  
OPTIONAL



FIBER GLUE  
OPTIONAL

Epic Sky Technology  
A Division of Impact Lighting Inc.

3100 Pennington Road, Orlando, Florida 32804 • Phone: 1.800.507.5714 • Email: sales@epiXsky.com  
[epiXsky.com](http://epiXsky.com)

REV: 03-20

The **KALEIDOSCOPE STAR KIT** is the *newest technology* in digital star lighting. Featuring multiple color programs with our *exclusive shimmering iridescent colors*. You now have the power to control and create your ideal vision of a night sky. *This kit is designed to be a star kit or a custom effect kit.*



KALEIDOSCOPE STAR KIT MODULE



8' FIBER OPTIC STRANDS  
(COVERS UP TO 14 SQ. FT.)

Add another interface to daisy chain fibers and expand coverage area.



12 VOLT  
POWER SUPPLY



FIBER GLUE  
OPTIONAL



DRILL BITS (12 PK)  
(Dremel® recommended)  
OPTIONAL

**KEY FEATURES:**

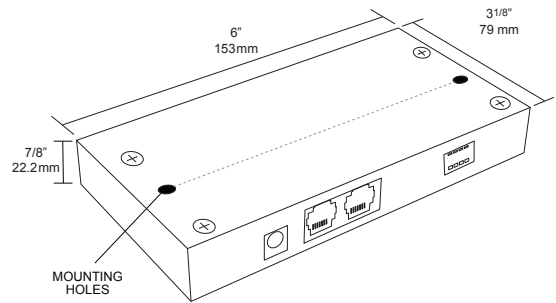
- 12 VDC Power Supply
- 256 Fiber Stars w/ 8ft. long fibers
- Multiple Color Programs
- RS232 Serial Controllable
- Remote Momentary Switch Ready (*Switch Sold Separately*)
- Stand Alone Mode – Dip Switch Program
- Optional WiFi w/ Phone/Tablet App. Control

**BENEFITS:**

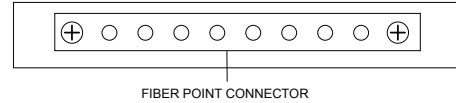
- Digital Electronics
- Compact Design
- Quiet Operation (*no fan*)
- No Moving Parts!
- Long Life LED's
- Low Wattage



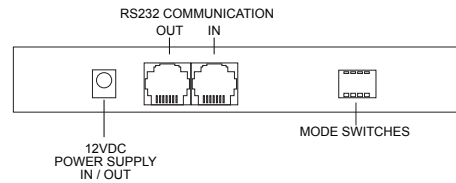
**TECHNICAL INFO:**



**FRONT**



**BACK**



**ORDERING**

MODEL	OPTIONS	ACCESSORIES	STAR EFFECT
<p><b>TL-KS-SK</b></p> <p>RGB Star Kit 256 Fiber Stars 8ft. Fiber Cable Multiple Color Programs 12 Volt Power Supply</p>	<p><b>DB</b> - Drill Bits (12 pack) <b>FG</b> - Fiber Glue</p>	<p><b>ADV</b> - RS232 Controller <b>EWf</b> - WiFi Interface <b>RMS</b> - Remote Momentary Switch</p>	<p>CREATE YOUR OWN STAR PATTERN TO GET DESIRED EFFECT</p>